

## JESUS' FOLLOWERS SEE HIM ALIVE AGAIN!

[Jerusalem] — When Jesus' followers went to the cemetery on Sunday morning and found his grave open and empty, they were amazed. Some of them thought some enemies had come and stolen the body away. Maybe some of them thought they were looking into the wrong tomb!

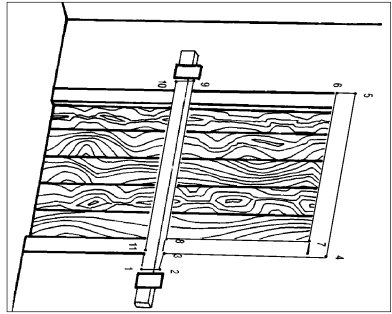
But late that same night, they all met together in a secret place. They locked the doors so their enemies would not come and find them. Some of them wondered what they should do next. Suddenly everything changed. Jesus walked right into the room and showed his friends he was really alive. He showed them the wounds he'd gotten when they nailed him on the cross.

One of the disciples, Thomas, wasn't there. The others told him the good news. Thomas thought they were playing a joke on him. He told them he would not believe it unless Jesus showed himself in person.

One week later Jesus came back and showed Thomas, too, he was really alive!

John 20:19-31

A30



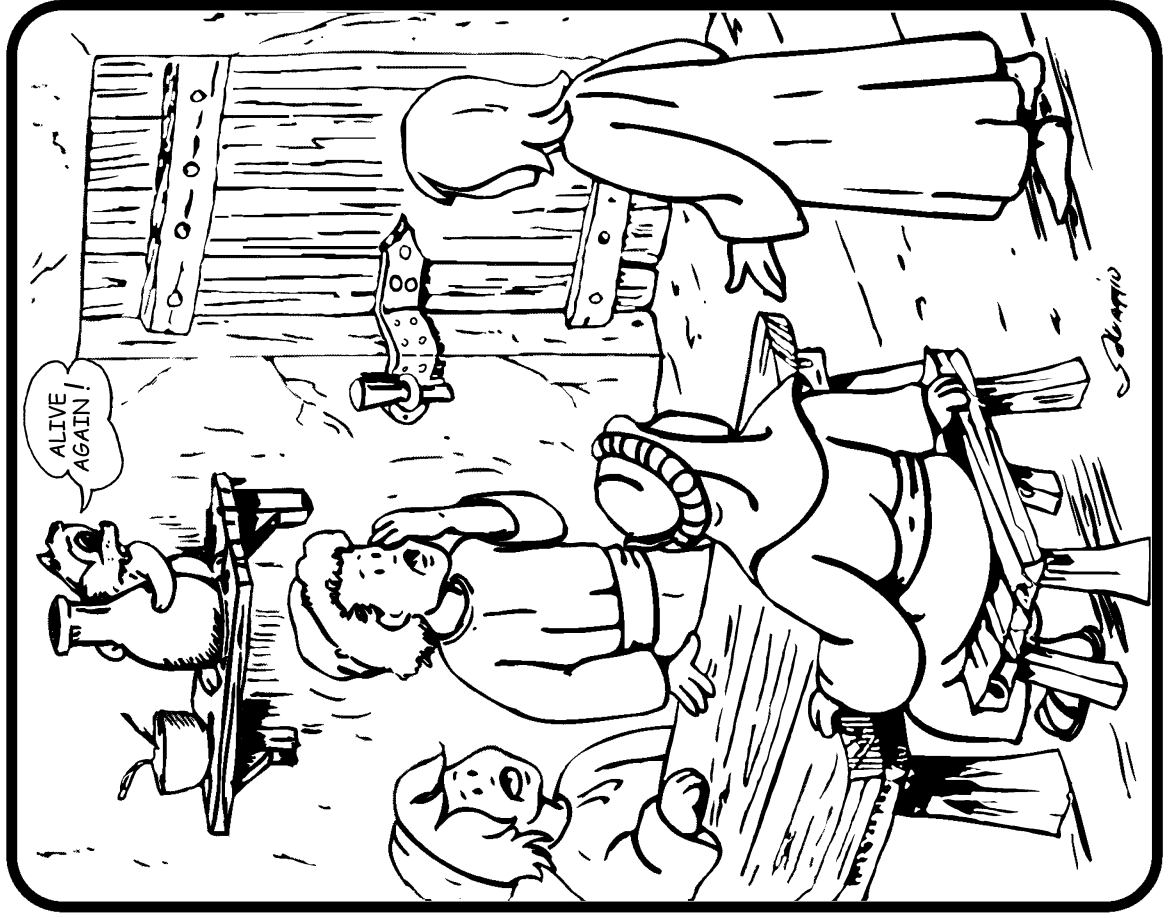
### ANSWERS

#### BEST ANSWER:

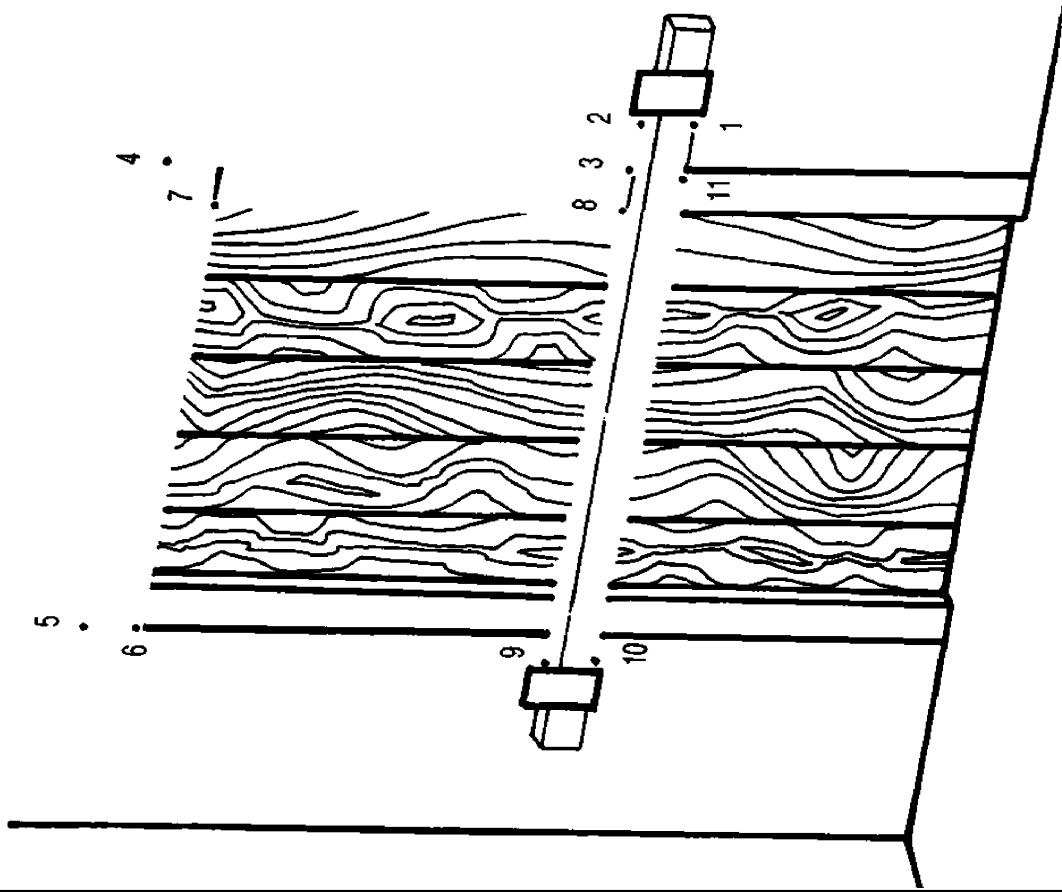
1. Jesus' followers went to the **CEMETERY**.
2. They thought Jesus' body had been **STOLEN**.
3. That night they met in a **SECRET** place.
4. Jesus **WALKED** into the room.
5. Thomas **DOUBTED** Jesus had been there.

# Gospel Grams

## SUNDAY ACTIVITIES FOR CHILDREN



**Finish The Picture.** Jesus' disciples were afraid that the people who killed Jesus might come and kill them. So they hid in a safe place. Finish the picture below to see what they did to the door to make them feel even safer. Connect all the numbers starting with number 1.



**Gus The Gospel Gopher says:** "Don't believe everything you hear.' Did you ever hear anybody tell you that? No wonder Thomas had a hard time believing Jesus was alive again! Here are some questions about today's Gospel story. Circle the best answer for each one."

1. Jesus' followers went to the \_\_\_\_\_.  
 TEMPLE    CEMETERY    STORE
2. They thought Jesus' body had been \_\_\_\_\_.  
 MISPLACED    HIDDEN    STOLEN
3. That night they met in a \_\_\_\_\_ place.  
 DISTANT    SECRET    HIGH
4. Jesus \_\_\_\_\_ into the room.  
 RAN    FLEW    WALKED
5. Thomas \_\_\_\_\_ Jesus had been there.  
 DOUBTED    BELIEVED    IMAGINED

**Make A Square.** Play this fun game with a friend. Each of you takes turns connecting two lines together. When your line completes a square, you win that square. When you win a square, either write your initial in it or color it your color. Then you get another turn! The one with the most squares wins!

